

MAIN OPERATING INSTRUCTIONS



UniTrack System

CAMBO

CONTENT:

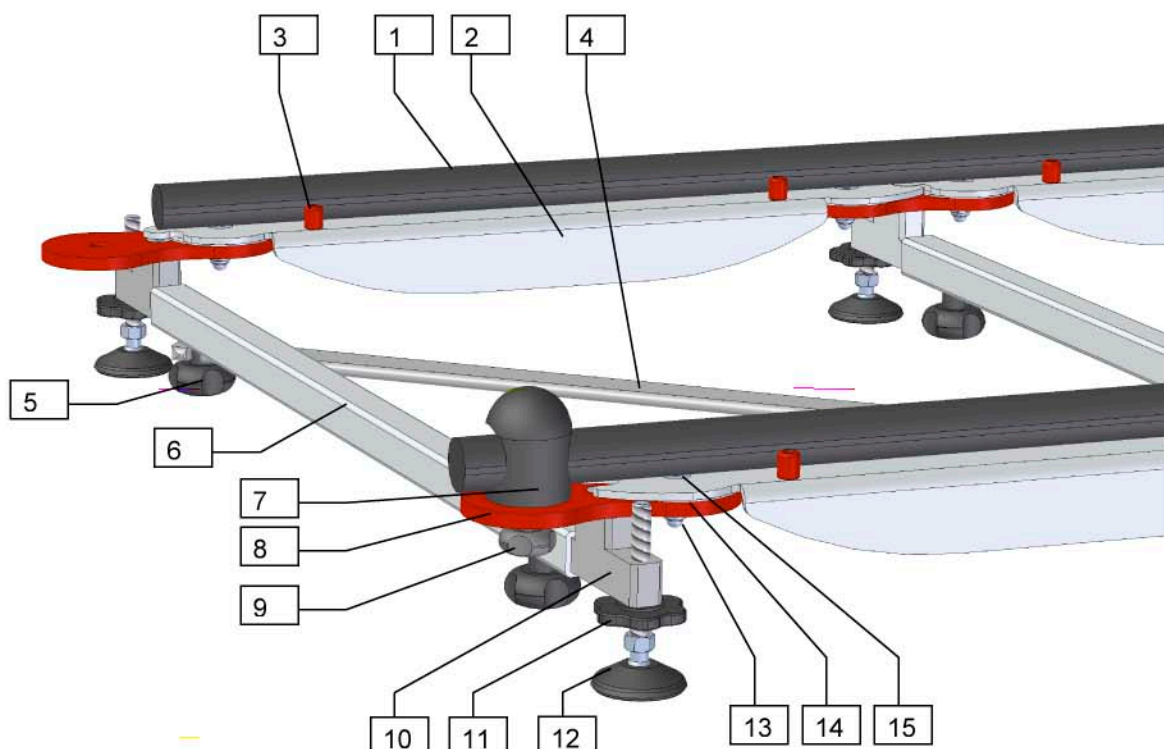
1. INTRODUCTION
2. SETTING UP INSTRUCTIONS UNITRACK
 - 2.1 LIST OF FUNCTIONS AND PARTS
 - 2.2 SETTING UP A STRAIGHT TRACK
 - 2.3 SETTING UP A CURVED TRACK
 - 2.4 EXTENDING THE TRACK
3. DOLLY & PEDESTAL SYSTEM
 - 3.1 MOUNTING THE TRACK DOLLY
 - 3.2 EXTENSIONS SET-UPS:
 - 3.3 LOW SET-UPS:
 - 3.4 MOUNTING THE VIDEO CAMERA:
 - 3.5 USING THE UNITRACK - PEDESTAL SYSTEM
4. CAMBO PRODUCT LISTING TRACK SYSTEM
5. SPECIFICATIONS

1. INTRODUCTION

You have bought a Track System out of the expanding range of new Cambo Video products. We expect that you will achieve improved results and performance using this equipment. These instructions give you setting up instructions and short information about the main functions of the new UniTrack System. The UniTrack System gives you most possible flexibility setting up. The straight and curve combinations of the track, used with the track-dolly and Pedestal system build any job for any creative mind. The construction is modular and extendable and fits in a flightcase that is available from your Cambo dealer.

2. SETTING UP INSTRUCTIONS UNITRACK

These instructions firstly build up the UniTrack in the most used way. Afterwards the way to extend the track is explained.



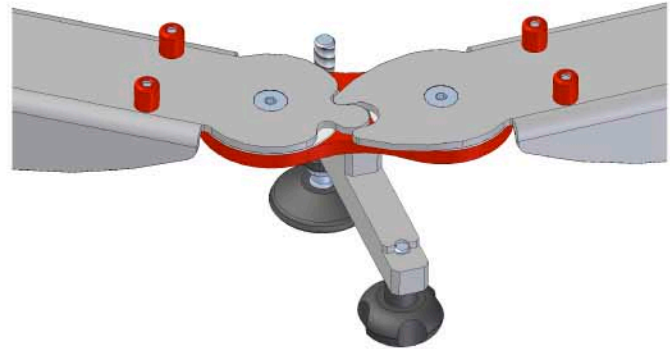
2.1 LIST OF FUNCTIONS AND PARTS

1. Rubber Track
2. Track Profile
3. Track Nippel
4. Shore
5. Knob Cross Bar & Shore
6. Cross Bar
7. End stop
8. Coupling Plate
9. Knob End stop
10. Foot Block
11. Locking Wheel
12. Levelling Foot
13. M8 Locking Nut & Ring
14. Low Friction Disc
15. M8 Screw

2.2 SETTING UP A STRAIGHT TRACK

A. Firstly unroll the Rubber track from either the flightcase platform or the box in which it is supplied. Lay the Rubber track along the path you are going to travel with the UniTrack or, depending on weather and surface conditions, put the box or flightcase platform aside for later use.

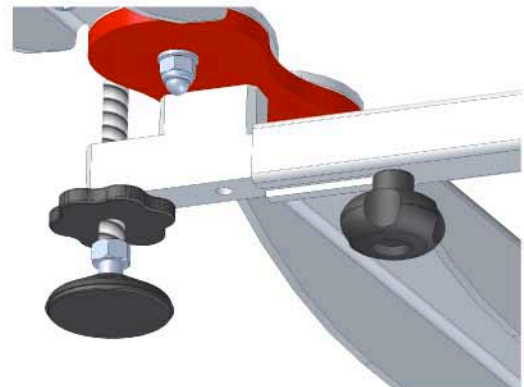
B. Take one of the UniTrack 5 meter sections and put it on its Levelling Feet. Unfold the package placing it approximately where it should be set up. Mind that every Rotation Point should be locked in the lip and groove of the connected Track Profiles (see picture).



The Foot blocks (10) should all be at the inside of the track. If necessary shift the track package to the other side of the track or rotate the Foot block with the Knob (5) to the Track inner side.

C. Place the second UniTrack package next to the first and unfold it like as before (B).

D. Take the **Cross Bars** (6), holding the groove downward and shift them on the Foot blocks at the right and left Track Sections. The Knob (5) should be loose enough to shift the Cross Bar as far as the groove allows (see picture). This makes the **standard 62cm track for straight sections**.



E. To be sure that the two sections start at the same line, mount the shore (4) in between the first left Knob (5) of the cross bars and the second Knob at the right section (see picture page 3). Make visually based corrections to get a straight track.

F. **Level** the UniTrack by adjusting the Level Feet (12) if needed. You may use a spirit level on the Cross Bars (6) and on the Track Profiles (2). If the track goes up or down slightly, try to match equal level situations on every Track Profile. Lock the levelled Feet using the Locking Wheels (11). For extreme Level differences use wooden blocks to compensate.

G. Place the **Rubber Track** on the UniTrack. Try to avoid too much torsion in the Rubber Track to get the smoothest rail-solution.

H. Mount the End stops (7) to the outer Coupling Plates (8) using the appropriate Knobs (9).

I. Fix the Rubber Track in the End Stops and roll the remaining piece of Rubber track, placing it nearby or under the UniTrack.

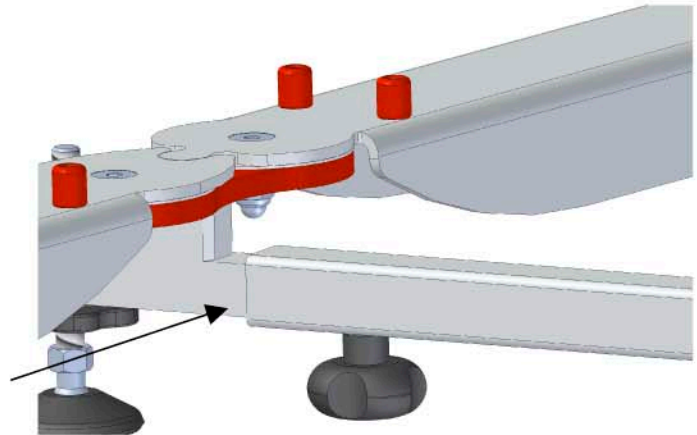
2.3 SETTING UP A CURVED TRACK

A curved UniTrack is set up similar to the straight track except for the placing of the Cross Bars (6).

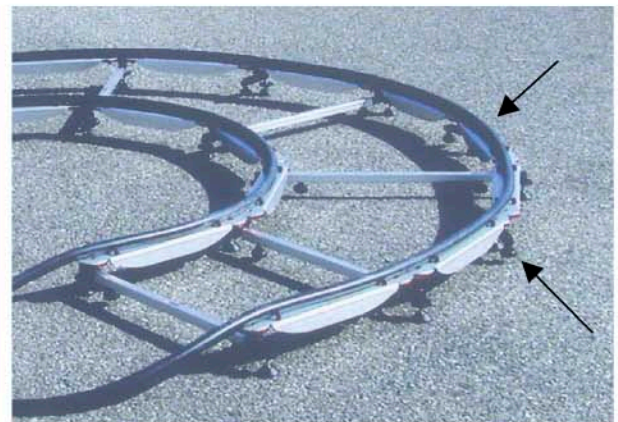
A, B and C: see above under 2.2

Position the inner and outer sections in approximately the desired curve.

D. Take the **Cross Bars (6)**, holding the groove downward and shift these on the Foot blocks at the right and left Track Sections. The Knob (5) should be loose enough to shift the Cross Bars as far as the groove allows. Going into the curve the Cross Bars should be fixed with more distance to the Foot Block (10, see picture). This makes it possible to match the standard 62cm track width also along the curved sections.



If the distance from a Foot block to the next Foot block at the other side it getting too long, skip one Foot block (see photo) and reposition the Level Foot of that Foot block just under the UniTrack Profile (2).



E. To be sure that the two sections start with the 62cm standard track width, mount the shore (4) in between the first left Knob (5) of the cross bars and the second Knob at the right section (see picture page 2). Make visually based corrections to get a smooth curved track.

Because the outer track section takes more track length than the inner track, there are one or two Track Profiles not used. If necessary it is possible to mount these to the outer track section. If necessary firstly remove the End stop and remount it after the set-up change. Then take the supplied tools and loosen the M8 screw (15), ring and nut (13) of the section you want to add to the outer section. Then attach the Track Profiles to the outer section using the same materials. Mind that the white Low friction Disc is in between and the M8 Screw should be fixed completely and then loosened _ stroke again. The rotation point should still be adjustable.

F,G, H and I as straight track above under 2.2

J. When the dolly is on the track it is easy to check the track width (see 3.1)

2.4 COUPLING THE TRACKS (OVER 5 METER)

- A. Take the Track sections you want to connect and place them near each other with a groove – lip combination.
- B. If necessary remove a coupling plate (8) / level foot (12) combination using the supplied tools. Remove the M8 screw (15), ring and nut (13) and remove these parts.
- C. Then attach the Track Profiles using the same material. Mind that the white Low friction Disc is in between and the Screw should be fixed completely and then loosened _ stroke again. The rotation point should still be adjustable. Do so also for the other side of the track.
- D. Mount the End stops (7) to the outer Coupling Plates (8) using the appropriate Knobs (9).
- E. Use one Rubber track at right side of the track and the other Rubber Track at the left side.
- F. Fix the Rubber Track in the End Stops and roll the remaining piece of Rubber track, placing it nearby or under the UniTrack.

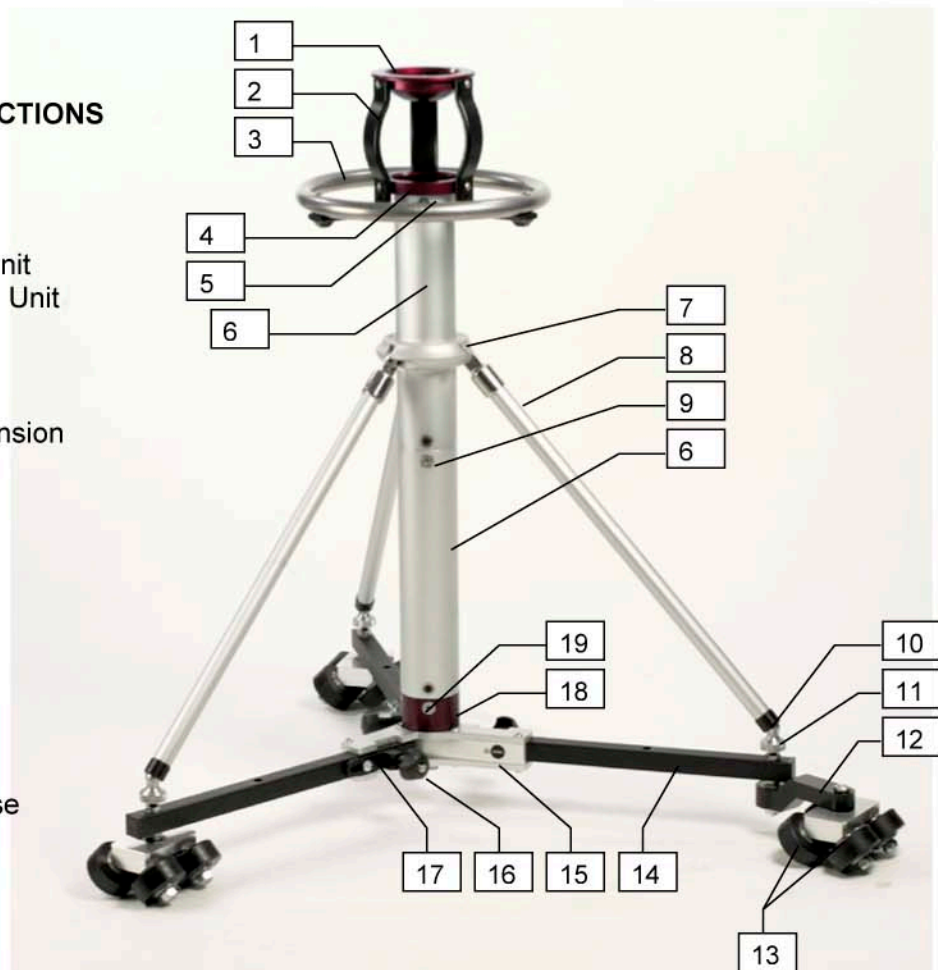
An extended track (over 5 meter) should best be taken apart into sections of 5 meter again for packaging / transport.

3 DOLLY & PEDESTAL SYSTEM

The UniTrack System can be used in combination with the Cambo VPD-15 dolly but supports almost any other dolly. The system will be expanded with a 4-wheel platform dolly that takes standard tripods and more accessories. Below only the most standard options are described.

LIST OF PARTS / FUNCTIONS

1. 100 mm Bowl
2. Bowl Brackets
3. Steering Wheel
4. Central Piece Bowl Unit
5. Locking Screws Bowl Unit
6. 300 mm Extension
7. Spider Clamp Ring
8. Spider Legs
9. Locking Screws Extension
10. Spider Feet
11. Tensioning Pen
12. Swing Arm
13. Track Wheels
14. Dolly Legs
15. Dolly Housing
16. Locking Knob Legs
17. Shift Block
18. Base Piece Column
19. Locking Screws Base



3.1 MOUNTING THE TRACK DOLLY

The Track Dolly can be used in combination with the VPS-1 Pedestal or the 600mm Fixed extensions. Above displayed is the VPSF-600 Fixed Pedestal.

- Take and place your folded Pedestal up side down. Unlock the Dolly Legs using the locking knob (16). Release these as much as is necessary to take out the leg and set it parallel to the Dolly Housing (15). Then push it into the Housing, glide the Shift Block (17) into the alternate position and fix the Leg with the same locking knob. Do the same for the other legs.
- Place the Pedestal right up on the Track wheels (13), spreading the spider legs (8) if necessary.
- Turn the Tensioning Pens (11) clockwise to make it possible to place the Spider legs on top of them. After placing all three, tension them with the Pens turning them counter clockwise.

Now the VPSF-600 Fixed Pedestal is set up in its normal way on the VPD-15 Track Dolly.

- **Place the Pedestal combination on the UniTrack Rubber Profile. Be sure that the Track wheels (13) are placed correctly on the Track. The compensating track wheel with the Swing Arm (12) is should be on one side of the track and the two remaining rotating Track wheels should be on the other side. If there is a curve in the track it is recommended to use the compensating track wheels on the inner curve. This way there is less Track Width compensation necessary.**

3.2 EXTENSIONS SET-UPS:

The Pedestal System can be mounted in several combinations with 150 and 300 mm extensions (optional VPS-150 and VPS-300 extensions). For sitting work the above-described set-up will do but shorter versions are possible using for example a 150mm extension for a 300 mm one.



Exchanging Extensions:

- Remove the three locking screws (19) that hold the column in the base piece (18) using the supplied hexagon key.
- Take off the Column / Extension with spider.
- Remove the three locking screws (9) of the second extension and take them apart.
- Mount the new shorter extension if necessary using the same hexagon key. Fix them firmly but do not use too much force for there is a chance of damaging the tool or the screws.
- Mount the new column combination to the Base piece (18) of the Track Dolly.
- Lower the Tensioning Pens (11)
- Loosen the Spider Clamp Ring (7) with the two locking screws and slide it up until the spider legs fit the Tensioning Pens. Then fasten the Spider Clamp Ring again with both screws.
- Tension the Spider using the Tension Pens (counter clockwise).

3.3 LOW SET-UPS:

- Remove the three locking screws (5) that hold the Bowl Unit on the inside column (6) using the supplied hexagon key.
- Take off the Bowl Unit and lay it aside (see picture).
- Remove the three locking screws (19) that hold the column combination in the base piece (18) using the supplied hexagon key.
- Take off the Column with spider and lay it aside.



- Mount, if necessary a short extension or none at all using the same hexagon key. Fix them firmly but do not use too much force for there is a chance of damaging the tool or the screws.
- Take the Bowl unit and mount it on top of the extension or directly to the Base Piece (18) of the Dolly.



- A special low set up is possible using only the Bowl unit, placing it on its rubber feet on the ground or a table.

3.4 MOUNTING THE VIDEO CAMERA:

- Be sure that the Track Dolly – Column combination is placed correctly on the UniTrack.
- Mount your camera Head on the 100mm bowl. When using a 75mm Head a TVBA-100/75 adapting plate is available from your Cambo supplier.
- Mount the camera to the Head using the integrated quick lock system. Apply all appropriate accessories to the camera up to the maximum of 80kg total load (camera, head & accessories or jib together).

For instructions on the use of the pneumatic column see the VPS-1 Pedestal instructions.

3.5 USING THE UNITRACK - PEDESTAL SYSTEM

The UniTrack system enables you to make very smooth movements with your Jib, Pedestal or Low rider along almost any possible route.

Because of the modularity of the system it is possible to make any high and low construction with and without extensions, spiders and even without the track supporting construction. There are however limits to what is useable in terms of load capacity and stability.

- Using the Pneumatic Column of the VPS-1 Pedestal makes a maximum load capacity of 20kg.
- Using the VPD-15 Track Dolly gives a recommended maximum height of one VPS-1 column without extensions or 600mm fixed extension (both should be used with spider).
- Using a Jib on the VPSF-600 is possible. Recommended maximum jib arm length: 2 meter.

Low camera positions are possible using just the Low Ball Unit (VPS-962) that is also included in the VPS-1 and the VPSF-600 (see photo).



For situation that the dolly is not used for a longer time period it is recommended to place the dolly at one of the end positions on the Track. This prevents the situation that temporary bumps of the wheels are causing disturbing image movements.

4 CAMBO PRODUCT LISTING

TRACK SYSTEM / TRACK DOLLY / PEDESTAL SYSTEM

99132910	VPS-1	Pedestal
99132911	VPS-150	Pedestal extension 150mm
99132912	VPS-300	Pedestal extension 300mm
99132915	VPSF-600	Pedestal 600 mm Fixed length
99132925	VPD-15	UniTrack dolly
99132962	VPS-962	Low Ball unit
99132981	UTS-5	UniTrack system 5 meter
99132982	UTS-10	UniTrack system 10 meter
99132983	UTS-15	UniTrack system 15 meter
99132985	UTS-5F	UniTrack system 5 meter with flightcase
99132986	UTS-10F	UniTrack system 10 meter with flightcase
99132987	UTS-15F	UniTrack system 15 meter with flightcases
99132994	Spare Rubber track 15 meter	
99132998	UTF-Case Flightcase UniTrack 5m (flightcase for 10 meter UniTrack on request)	

For more Cambo Video Accessories contact your nearest Cambo Dealer and the www.cambo.com site.

5 SPECIFICATIONS

Length of standard track:	5 meter
Extendable with	5 meter sections
Track width:	62cm standard
Total Construction width:	767 mm
Height:	152 mm (incl. End Stop)
Curve range:	from 1,5 meter outside Radius step-less up to straight track
Level Range:	50 mm
UniTrack Weight:	6,4kg/m
Load Capacity UniTrack & VPD-15:	80kg (using spider)
Load Cap. UniTrack, VPD-15 & VPS-1:	20kg (VPS-1 takes max. 20kg)
Load Cap. UniTrack, VPD-15 & VPSF-600	80kg (using spider)
Packed dimensions 5m track:	520x226x950 mm
Rubber Track dimensions:	30mm x 15 meter

The Rubber track should always be stored and packed in the largest possible roll diameter (minimum 300mm) to obtain the best quality material and the smoothest use of the UniTrack system.

Cambo R&D

October 2005

This Manual is prepared by Cambo with care, although no responsibility, financial or otherwise, is accepted for any consequences arising out of the use of this manual or this material. All specifications in this manual are subject to change without notice.

CAMBO Video & Broadcasting Products B.V.

P.O. Box 200
Haatlanderdijk 45
Kampen, The Netherlands
Telephone: +31(0)38-3314644

Telefax: +31(0)38-3315110
Email: info@cambo.com
Cambo site: www.cambo.com