

# **CAMBO**

## **MOUNTING INSTRUCTIONS FOR CAMBO SHOOTING TABLE**

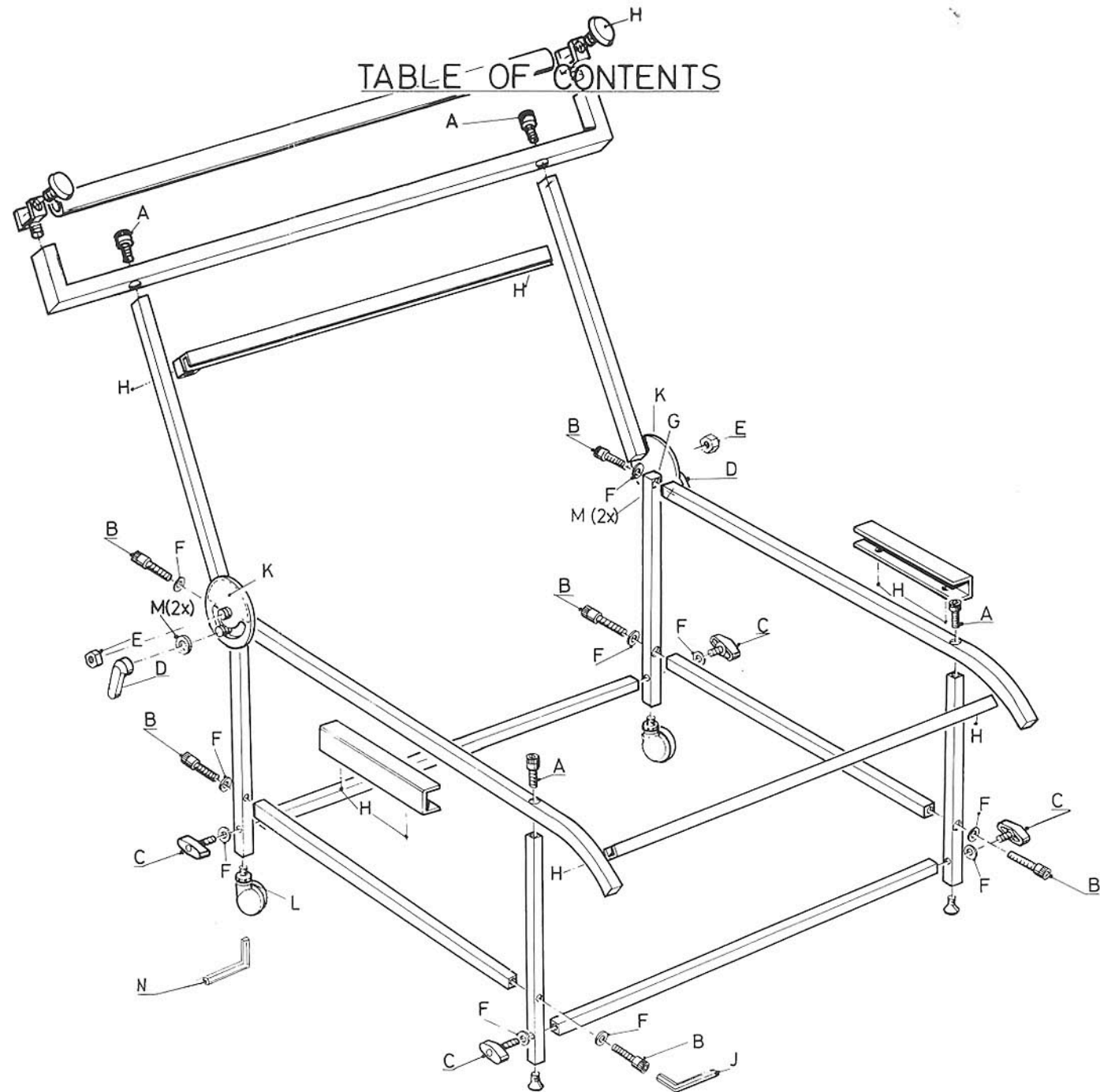
**Follow instructions as shown in figures - I - II - III - IV.**

**If perspex plate is included, slide it between all clamps with H.**

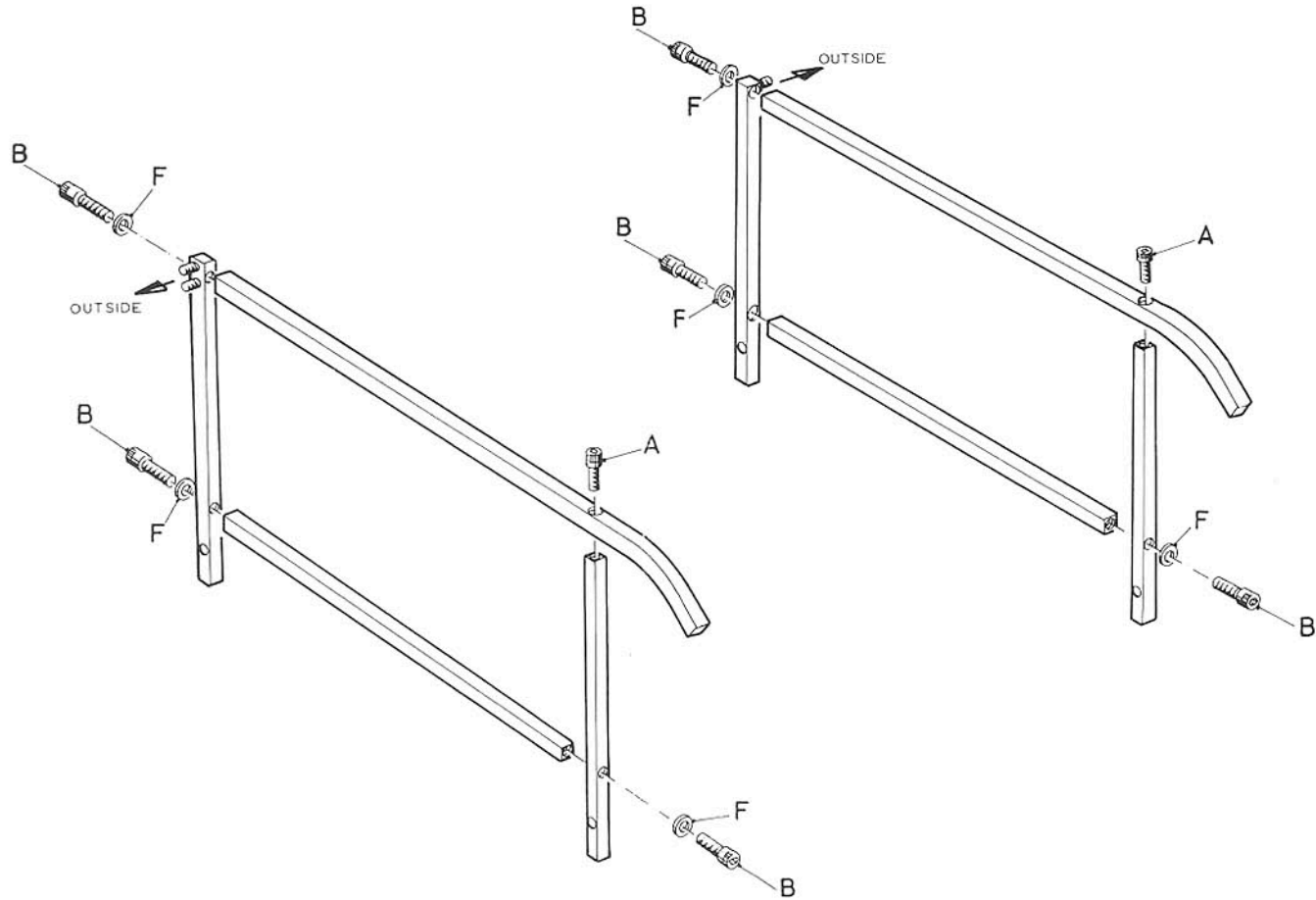
**Recommended perspex quality:**      **One side matted,  
Thickness 3 mm,  
Size 121x245 cm.**

All specifications in this manual are subject to change without notice.

	PART NAME	SIZE	QTY.
A	BOLT	m8 x 30	4
B	BOLT	m8 x 50	6
C	KNOB	m8	4
D	HANDLE	m10	2
E	NUT	m10	2
F	WASHER	m8	10
G	WASHER	m10	2
H	KNOB	m5	10
I	ADJUSTERS	m10	2
J	ALLEN-KEY	sw 6	1
K	STICKER		2
L	CASTOR		2
M	KNURLED WASHER	m10	4

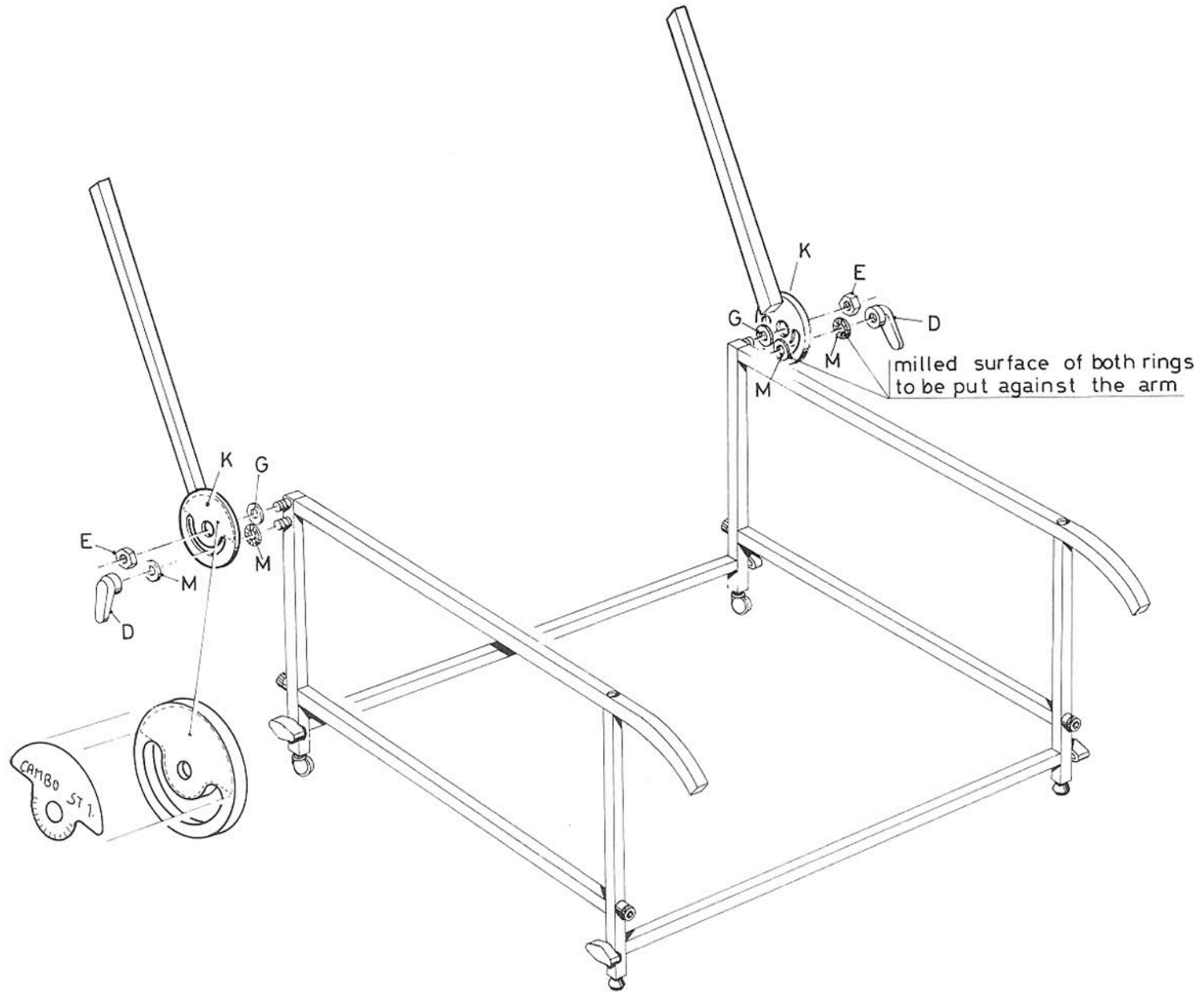


# MOUNTING I





# MOUNTING III



MOUNTING IV

