

CAMBO

Mounting / Operating Instructions

MONOSTAND -1 and -2

CAMBO MONOSTAND ASSEMBLY

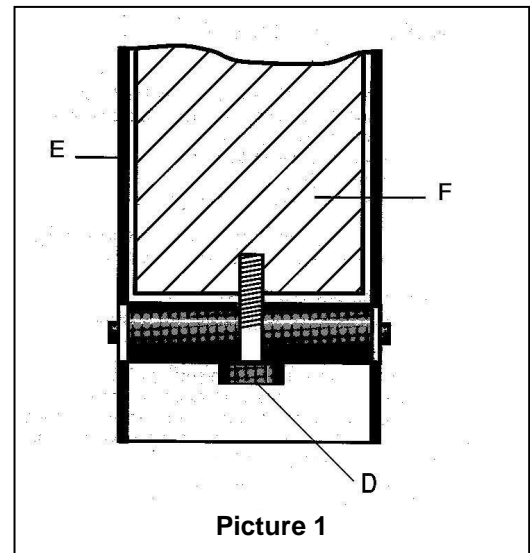
1. Unpacking

Unpack the base. Inside the packing of the base you will find a small box containing the following parts:

- bolt (A) to mount the column to the base
- washer (B)
- bush (Q) (only with Mono-0)
- 1 wrench (C) to fit the bolt

2. Removal of the counterweight blocking (Picture 1)

Position the Column (E) horizontally on the ground. Remove hex-screw (D) from bottom side of the column (E) to release the counterweight (F).



3. Mounting the base to the column (Picture 2)

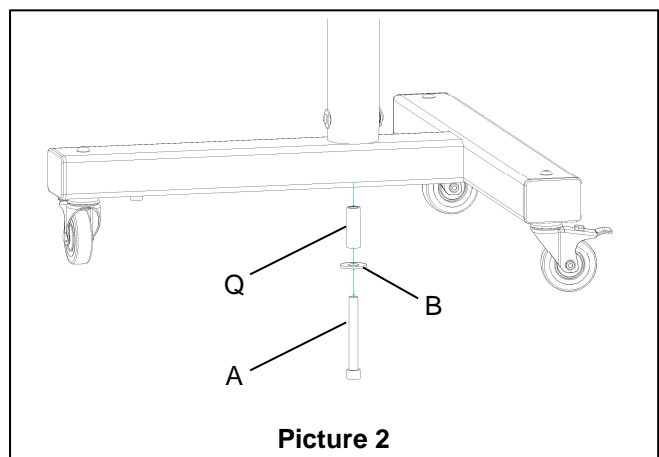
Keep the column horizontally with the cross arm-section of the sliding piece (H) on the floor.

MONO-0 base:

Slip the washer (B) and the bush (Q) onto the bolt (A) and through the base. Mount the MONO-0 base to the column, using the supplied wrench. Tighten firmly! The stand can now be placed vertically.

CAL-0 base:

When mounting the column to the iron casted base CAL-0, there is **no bush (Q)** in between.



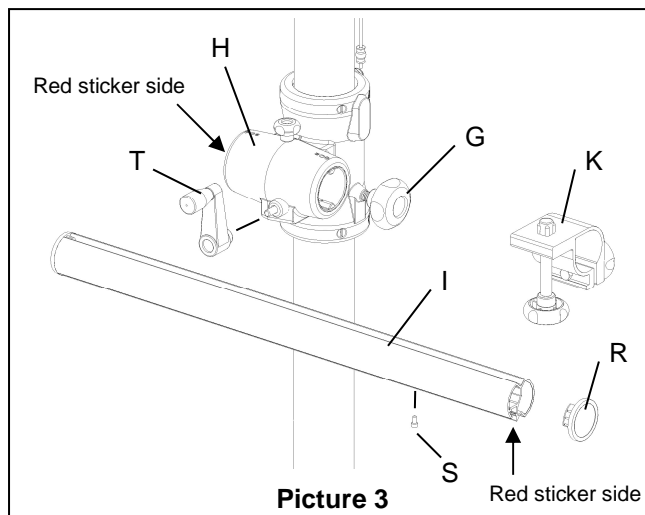
4. Mounting of the cross arm (Picture 3)

Insert the brake-knob (G) into the threaded hole of the sliding piece (H). Remove the right end-cap (R) of the cross arm (red sticker side). Unscrew the cross recessed screw (S) in the geared rack at the right side of the cross arm (red sticker side, see Picture 3).

Mount the cranked (T) to the axis of the cross arm gear axle, using the supplied allen key (4mm).

Insert the cross arm with the right side (red sticker side) through the big hole of the sliding piece (H) at the left side (red sticker indication, see also Picture 3). Mind that the grooves fit the guiding parts inside the sliding piece and do not apply force doing so.

If necessary, assist the cross arm using the cranked (T), rotation clockwise.



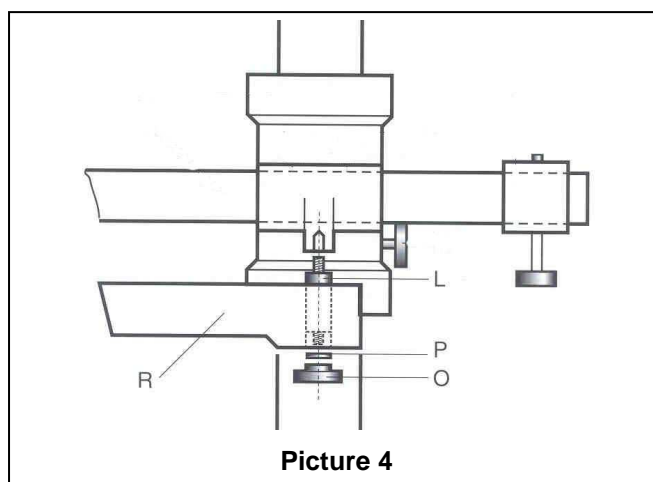
Place the recessed screw (S) back into the geared rack and remount the end-cap (R) to the cross arm. Slide the camera mount (K) onto the tube. The camera-mount can be moved across the tube and fixed secure in the wished position.

5. Mounting of the Accessory Tray (optional). (Picture 4)

The packing contains 1 tray (R), 1 rubber inlay, 1 steel stud (L), 1 washer (P), and 1 knob (O).

Screw stud (L) into the m10 threaded hole located at the bottom-side of the sliding piece (H). Secure firmly using a steel driver through the hole in stud (L). Slide tray onto stud (L) and mount washer (P) and knob (O).

The tray can now be swivelled left and right.



NOTE: The Monostand cross arm's recommended maximum load is: 4 kg.

When more weight is applied to the cross arm, the counterweight is not really compensating the situation and the stability of the stand is no longer ideal. In this situation Cambo recommends to keep the camera load as close to the vertical column as possible and placed in line with the base beam that can be named as the long beam of the T-shape (see picture 2) or in line with one of the 3 legs of the iron casted CAL-0.

Cambo R&D October 28th 2008 / rev. 2015

This Manual is prepared by Cambo with care, although no responsibility, financial or otherwise, is accepted for any consequences arising out of the use of this manual or this material. All specifications in this manual are subject to change without notice.

CAMBO Fotografische Industrie B.V.

P.O. Box 200 8260 AE
Haatlanderdijk 45 8263 AP
Kampen, The Netherlands
Telephone: 31(0)38-3314644
Telefax: 31(0)38-3315110
Email: info@cambo.com
Cambo website: www.cambo.com