

Please read this manual carefully before using the Cambo WRS-1090 compendium!

CAUTION: Before use ensure that the compendium is mounted correctly!

Note: some Cambo WDS lenspanel/lens combinations feature protection brackets that extend in relation to the front lens-ring. For this cases it is advised to dismount the brackets for optimal use of the WRS-1090. The bracket can be dismounted using a Torx T10 driver.

Mounting the WRS-1090

There are three options for mounting the compendium.

1. For camera's equipped with the Cambo accessory mounting holes (WRS-1200 series); the compendium can be mounted directly to the camera body, using "knob C".
2. For camera's with an accessory shoe; you can use the WRS-1095 shoe adapter.
3. For the WRS Anniversary Edition camera you can use the WRS-1096 AE adapter plate.

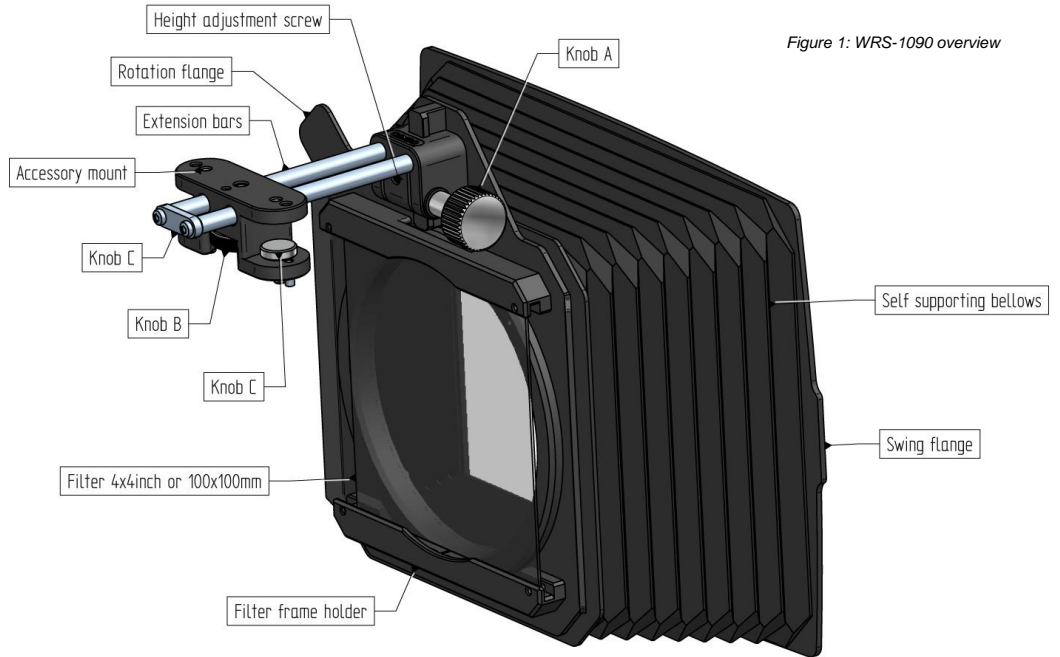


Figure 1: WRS-1090 overview

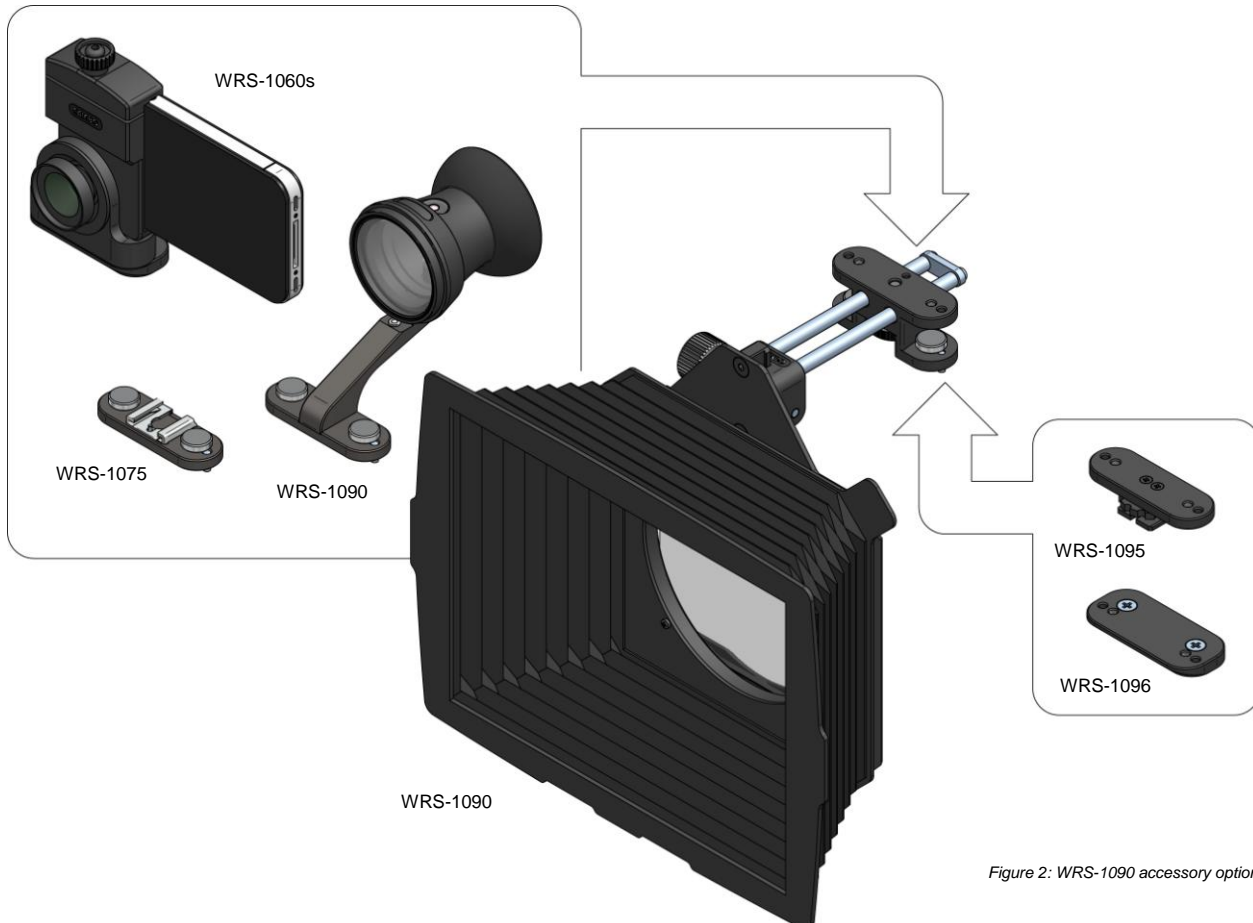


Figure 2: WRS-1090 accessory options

Height adjustment

The WRS-1090 compendium features a height adjustment. To change the height of the compendium in relation to the optical axis, please unscrew the “height adjustment screw” (indicated in figure 1) using a Allen key (2,5mm). Now adjust the height of the compendium until the inner ring of the compendium is concentric with the outer diameter of the lens. Lock this position by tightening the “height adjustment screw”.

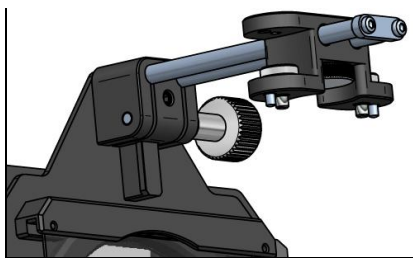


Figure 3: Example height adjustment for the WRS Anniversary edition.

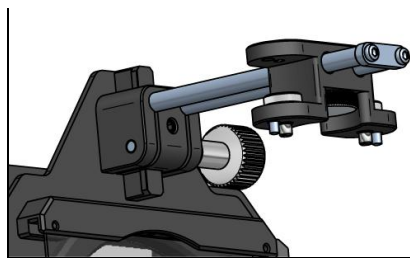


Figure 4: Example height adjustment for the WRS-1200 series.

Self supporting bellows

You can use the flange tab at the left and right side of the bellows to adjust the angle, You can tilt the bellows up and down or swing it left or right). **Note: Don't overstretch the bellows, this could damage the self-supporting material.**

Landscape and portrait position

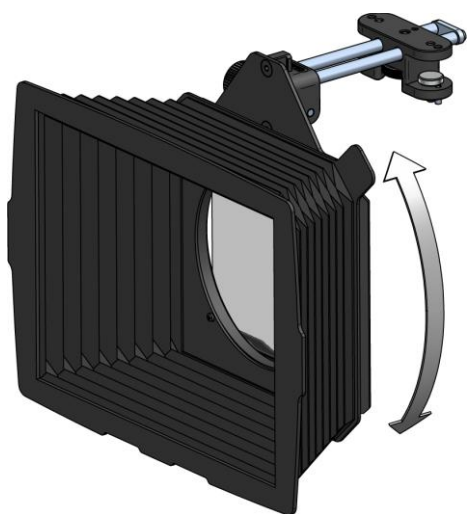


Figure 5: Landscape orientation

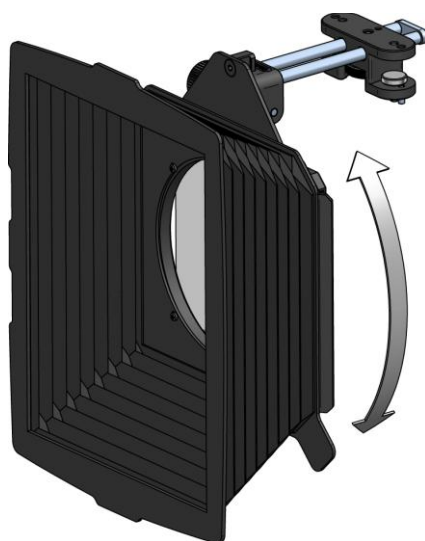


Figure 6: Portrait orientation

To change the orientation of the bellows, please use the rotation flange and rotate the filter 90° **clockwise** to the portrait position.

To change the orientation of the bellows back to the landscape position, please use the rotation flange and rotate the filter 90° **counter-clockwise** to the portrait position.

Filter holder (4x4inch and 100x100mm)

The filter holder supports 4" by 4" filters as well as 100mm by 100mm filters. The max thickness of the filter that can be used in this frame is 3,2mm. Please insert the filters from right to left (figure 7).

To change the distance from the compendium to the lens, please unlock “knob B” clockwise (figure 1), now you can slide the compendium to the desired distance.

When using a filter, please slide the compendium towards the lens until the filter is (gently) pressed against the lens ring, and lock “knob B” (counter-clockwise).

When you unlock “knob A”, the compendium can slide off the bar-system (for changing lenses or screw-filters).

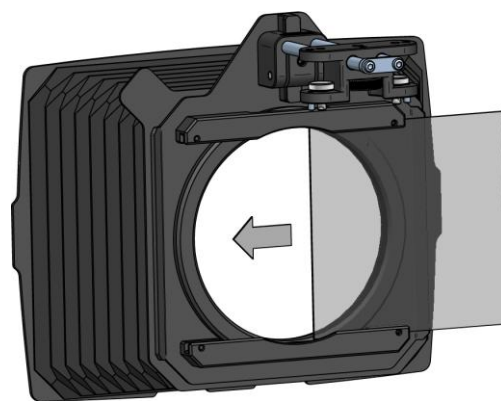


Figure 7: Insert filter