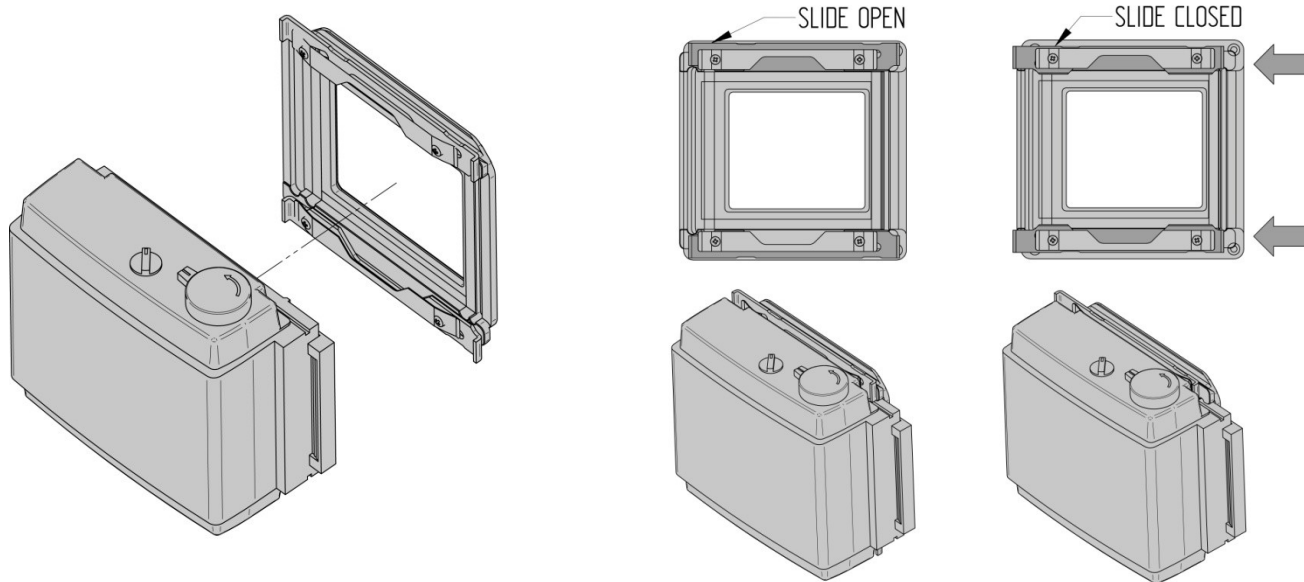




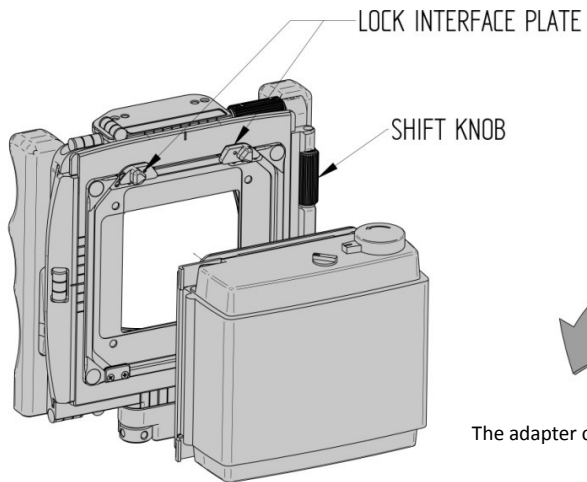
## Cambo WRS-1068

Interface plate for 6x7 roll film holder

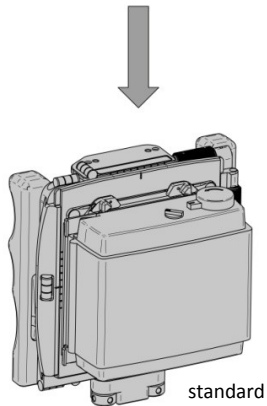
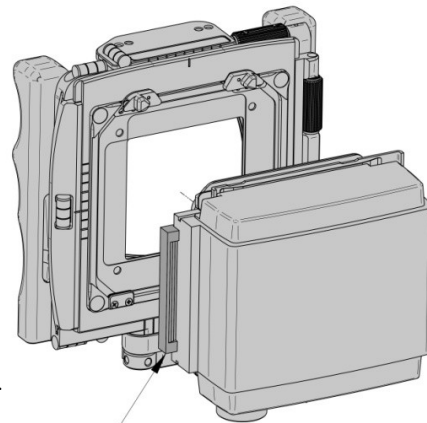
*NOTE! this adapter is NOT compatible with the Cambo WRS-AE/WRS-5000 and the pre-2008 models of the WRS-1000 series.*



Please mount the roll film holder to the WRS-1068 adapter before mounting the adapter to the Cambo WRS. Be for mounting the roll film holder ensure that the slides of the adapter are fully opened. Place the holder (only fits one way) and close both slides to lock the holder in place.



The adapter can be flipped 180degrees.



*NOTE! In some cases the "darkslide" interferes with the shift knob of the WRS camera.*

To avoid this please flip the adapter/roll film combination 180 degrees. This way the darkslide faces the opposite direction and is now free of obstruction.

