

CAMBO



ACTUS-MV SYSTEM



In 2014 we introduced the Cambo Actus, our first view camera designed primarily for use with mirrorless camera bodies. It became an immediate success and was soon accompanied by a version for use with digital backs. When larger-sensor mirrorless cameras entered the market the Actus was optimised and refined for use with these bodies, which resulted in the Actus-G.

The Actus view cameras are loved for their compact design and portability by many photographers working in the field. Accessories like Base Tilt and Dual Ratio gears became available as upgrades to meet the needs of the studio shooter. An extensive range of lens adapters, bayonets, rails and bellows was added to ensure even greater photographic flexibility.

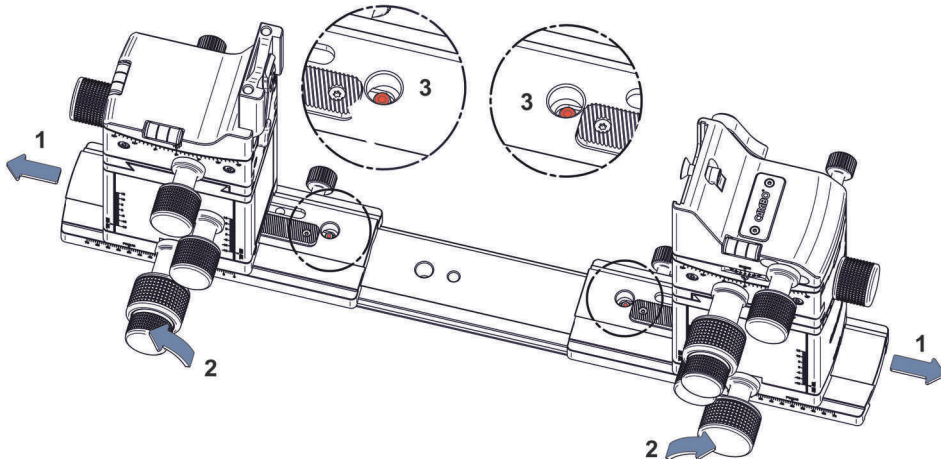
Today marks the introduction of a new Actus alongside the well-known models: The Actus-MV. This stands for Maximum Versatility and that's exactly what it offers. This is the view camera that is optimised for studio use, while still being portable enough to suit the location photographer.

The Actus-MV is a 21st century view camera. It has all the refinements today's high resolution sensors require. Thanks to its modular design the same platform accepts mirrorless cameras, DSLRs and digital backs. No matter how your photography develops, the Actus-MV is ready and will evolve alongside camera and digital back technology.

Photo © : Dirk Przibylla - Vestalorenz

Actus-MV - Canon 5Dsr - Actar-90

The Actus-MV was designed to offer all movements a studio photographer may desire, while maintaining practicality on location. With its predecessors we always kept the option open to shoot 4x5 film. The Actus-MV prioritises digital. This requires precision but also enables us to make the camera smaller and lighter. To increase portability, its front and rear standard can be separated from the optical bench within seconds and without requiring tools.

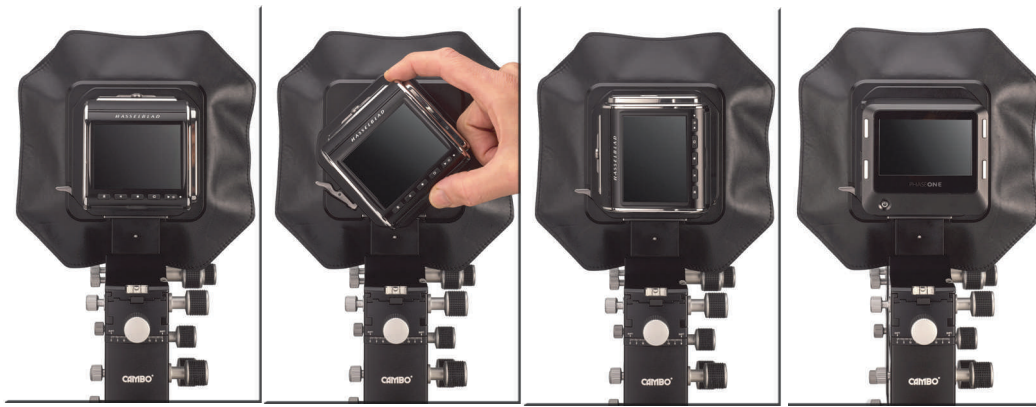


Both standards provide generous geared movements. There's rise/fall and shift at the front and rear. When working with an inclined rail, tilting both standards restores perpendicularity when needed.

To position the plane of focus where it's required, the front standard features swing and tilt. The latter has a Dual Ratio gear (1:5) which makes it easier to dial in extremely small increments. There's a similar mechanism at the rear for fine focussing. Unintended movements are avoided by tightening the friction knobs at the left side of the camera.



ACTUS-MV SYSTEM



For the Phase One/Mamiya and Hasselblad-V interface we offer adapters with integrated portrait/landscape rotation. The Cambo digital back frame ACDB-989 accepts the well-known SLW interface plates, as used on the Cambo Actus-DB2 and WRS cameras. Every digital back - including discontinued models - can be attached.



ACDB-990 with integrated landscape/portrait rotation

On the right the Actus-MV is shown with a Rodenstock Digaron lens fitted with Phase One X-Shutter. Combined with an IQ4 digital back this offers unprecedented ease of use.

The Actus-MV plays equally well with DSLRs and Mirrorless cameras. Thanks to their design the latter give access to an enormous choice of lenses. Working with the camera body's focal plane shutter makes a leaf shutter redundant. Most Rodenstock lenses are therefore available in Aperture Mount and Cambo offer an ever expanding range of Actar lenses alongside several adapters to attach your legacy medium format lenses.





Attachment for compendium ACMV-350

Actus-MV Technical Specifications

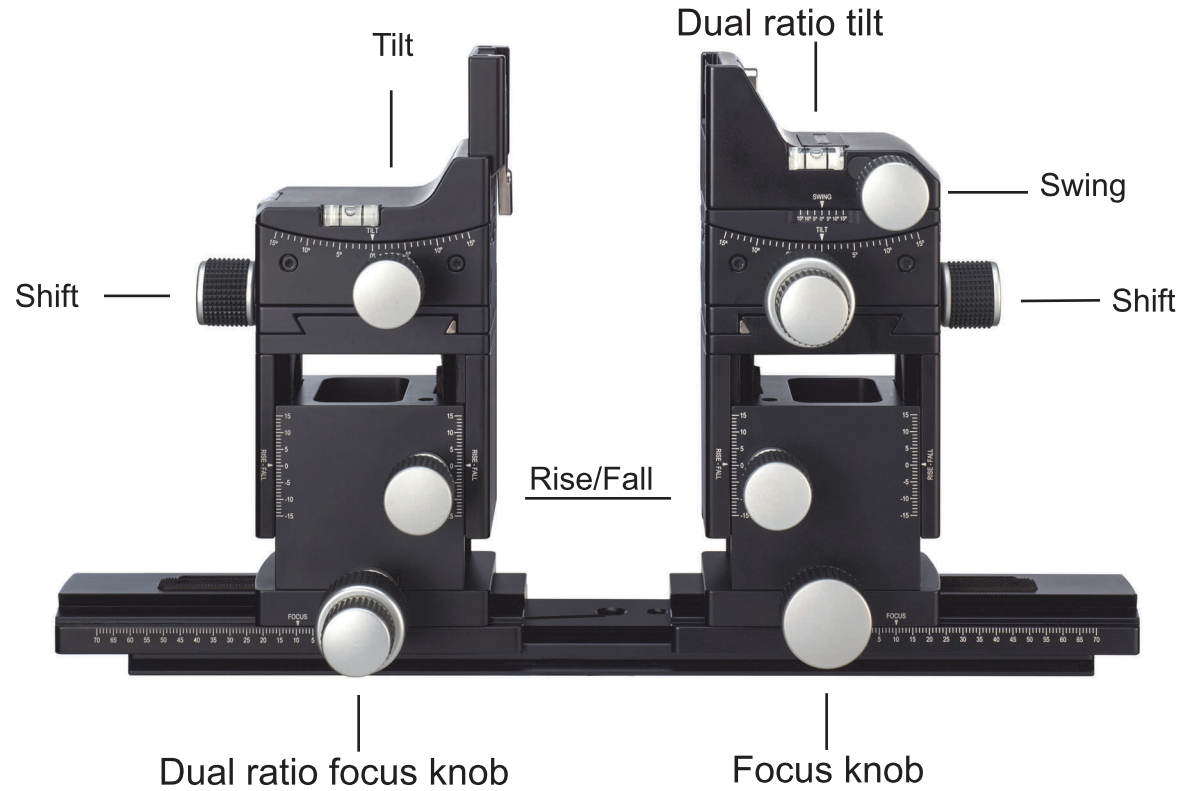
Tilt	15°/15°	front and rear
Swing	30°/30°	front
Rise/Fall	15mm/15mm	front and rear
Shift	20mm/20mm	front and rear
Weight	2.8 kg (frames included)	
Max extension (standard rail and bellows)	285mm (2x 70mm geared / 145mm telescopic)	



Friction knobs on camera movements



Dual ratio gears for focussing and tilt



ACTUS-MV SYSTEM



bayonets for Mirrorless Medium Format



various bayonets Mirrorless/DSLR



various adapters for legacy lenses





Actus-MV - Phase One IQ-3 - HR Digaron-35



Actus-MV Parts & Accessories

ACDB-990
 ACDB-991
 ACDB-989
 SLW-80
 SLW-83
 SLW-84
 SLW-87
 SLW-89
 ACMV-861
 ACMV-862
 ACMV-863
 ACMV-864
 ACMV-865
 ACMV-86E
 AC-780
 AC-781
 AC-782
 AC-783
 AC-785
 AC-786
 AC-787
 AC-788
 AC-789
 AC-790
 AC-210
 AC-212
 AC-214
 AC-215
 AC-216
 ACDB-250
 ACDB-252

DB holder (rotatable) with Phase One mount
 DB holder (rotatable) with Hasselblad-V mount
 Interchangeable SLW-adapter holder
 Hasselblad-V Adapter
 Phase One/Mamiya adapter
 Sinar S30/45 adapter
 Contax 645 adapter
 Hasselblad-H adapter
 Holder incl. Leica SL bayonet
 Holder incl. Fujifilm GFX bayonet
 Holder incl. Fujifilm GFX-100 bayonet
 Holder incl. Nikon Z bayonet
 Holder incl. Hasselblad X1D bayonet
 Bayonet holder for DSLR/Mirrorless
 Canon EOS bayonet
 Canon M bayonet
 Canon R bayonet
 Nikon F bayonet
 Leica M bayonet
 Sony E bayonet
 Pentax K bayonet
 M43 bayonet
 M43 (high) bayonet
 Fuji X bayonet
 Standard bellows - 125mm
 Wide Angle bellows - 40mm
 Long bellows - 200mm
 Long bellows - 300mm
 Macro bellows - 400mm
 Standard bellows - 150mm
 Wide angle bellows - 50mm

ACDB-254
 ACDB-256
 ACMV-350
 ACB-0
 ACB-0F
 ACB-1
 ACB-3
 ACB-39
 ACB-HA
 ACB-HVSA
 ACB-RZ
 ACB-M645
 ACB-P645
 ACB-NF
 ACB-CM
 ACB-CA
 ACB-ALP
 ACB-WRS
 Actar-15
 Actar-19
 Actar-24
 Actar-60
 Actar-80
 Actar-90
 Actar-105
 Actar-120
 Actar-138
 Actar-35

Long bellows - 300mm
 Macro bellows - 450mm
 Actus-MV Compendium
 #0 Lens plate
 #0 Lens plate, flat
 #1 Lens plate
 #3 Lens plate
 m39 Lens plate
 Hasselblad-V Lens plate
 Hasselblad-V Lens plate
 with shutter activator
 Mamiya RB/RZ Lens plate
 Mamiya 645 Lens plate
 Pentax 645 Lens plate
 Nikon-F lens plate
 Canon EF Lens Plate
 without aperture control
 Canon EF Lens Plate
 electronic aperture control
 Adapter Alpa short barrel
 Adapter Cambo WRS short barrel
 Lensplate with 15mm lens
 Lensplate with 19mm lens
 Lensplate with 24mm lens
 Lensplate with 60mm lens
 Lensplate with 80mm lens
 Lensplate with 90mm lens
 Lensplate w. Digaron-105 Macro
 Lensplate with 120mm lens
 Lensplate w. Digaron-138 Float
 Contax Distagon-35 retrofit

Cambo Fotografische Industrie BV
 Haatlanderdijk 45 / PO Box 200
 8263 AP Kampen
 +31 38 3314644
 info@cambo.com



Solid support for your view camera:
 The PCS geared head

CAMBO

WHERE TRADITION MEETS VISION

Models and specifications in this brochure
 are subject to change without notice.

For more information and accessories visit
www.cambo.com