



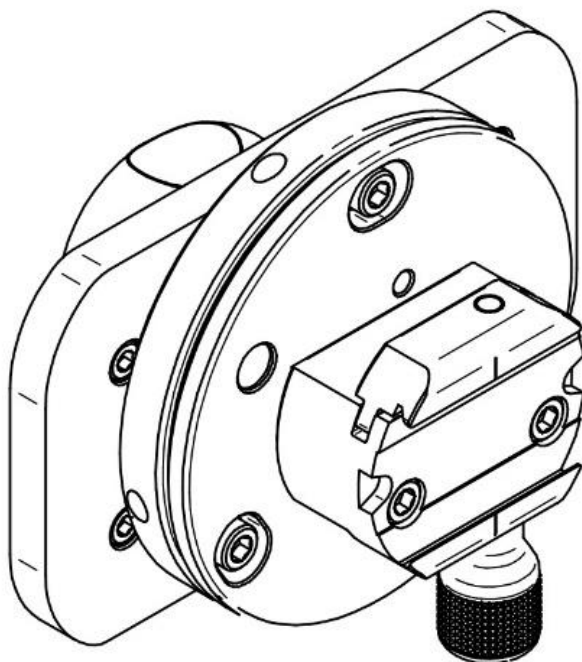
RPS-180 Levelling unit Pro

---

For Cambo RPS cross arms

INSTRUCTION MANUAL EN

*Please read this manual carefully before using the RPS-180*



## RPS-180 Level disc

---

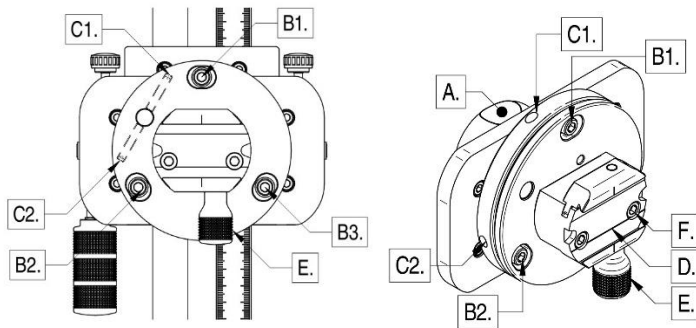


Figure 1 RPS-180 Level disc Features.

- A. Camera plate knob 3/8"
- B. Levelling screws, 3x hexagon bolt (Allen Key 5mm)
- C. Vert adjustment screws, 2x hexagon set screws (Allen Key 4mm)
- D. Cambo quick release clamp, Arca compatible
- E. Quick release clamp knob
- F. Quick release position screws, 2x hexagon bolt (Allen key 5mm)
- G. Cross Arm positioning slot
- H. RPS-180 Positioning screws

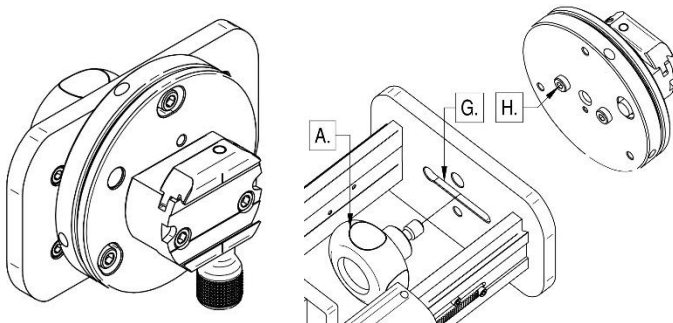
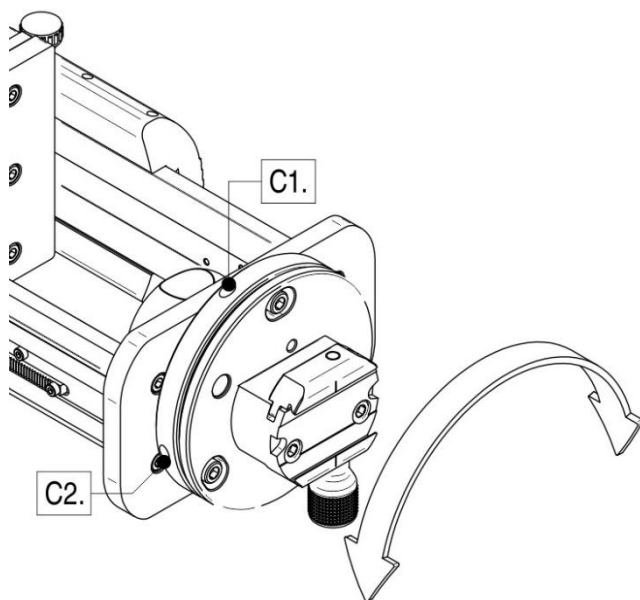


Figure 2 RPS-180 Placement

To fix the RPS-180 to the RPS cross arm, place the RPS-180 positioning screws H in the RSP cross arm slot G and fix the RPS-180 into position by tightening Camera plate knob A firmly.

## Levelling the Camera using the RPS-180 level disc



*Figure 3 RPS-180 Horizontal plane adjustment*

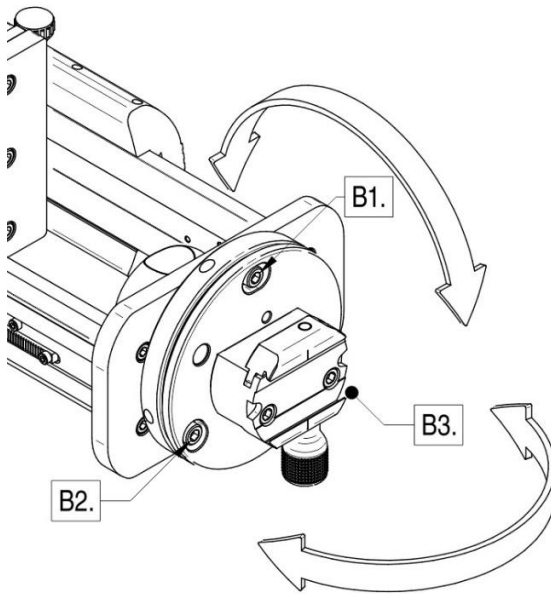
The RPS-180 level head features an horizontal plane adjustment of +/- 5 degrees. To adjust the horizontal plane position, use the two setscrews C1 and C2 (Allen key 4mm).

**ATTENTION:** for the adjustment always loosen one of the screws and then tighten the other. When tightening the setscrews, don't overtighten (fixed = fixed).

To adjust the level counter clockwise , loosen C2. until the camera is levelled, then tighten screw C1.

To adjust the level clockwise , fully loosen C1 then tighten screw C2, until the camera is levelled, then tighten C1.

## Levelling the Camera using the RPS-180 level disc



*Figure 4 RPS-180 Vertical plane adjustment*

To adjust the vertical plane please use the level screws (B.). Screw B2 and B3 tilts and swings the camera, by tightening or loosening the screws B2 and B3.

**Note:** only in exceptional circumstances screw B1 is used this is only then the adjustments of B2 and B3 are not sufficient.

## Changing the RPS-180 QR clamp orientation

The orientation of the RPS-180 QR clamp (D.) can be changed from horizontal (default) to vertical. A vertical QR clamp position may be desired when using a rail based Repro camera like the ACTUS-Repro. To change the QR clamp orientation remove bolts F using a 5mm Allen key. Rotate the QR clamp D counter clockwise so the clamp knob E is pointing towards the right (seen from front).

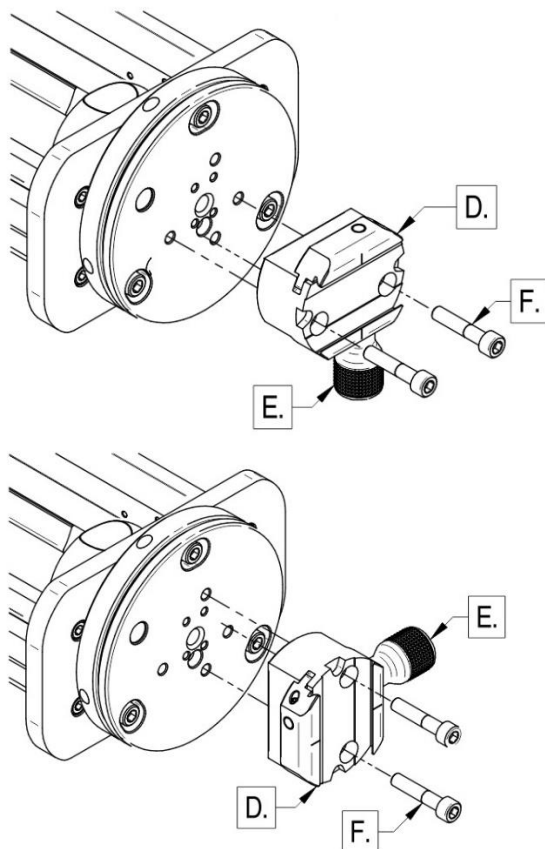


Figure 5 RPS-180 QR Clamp orientation