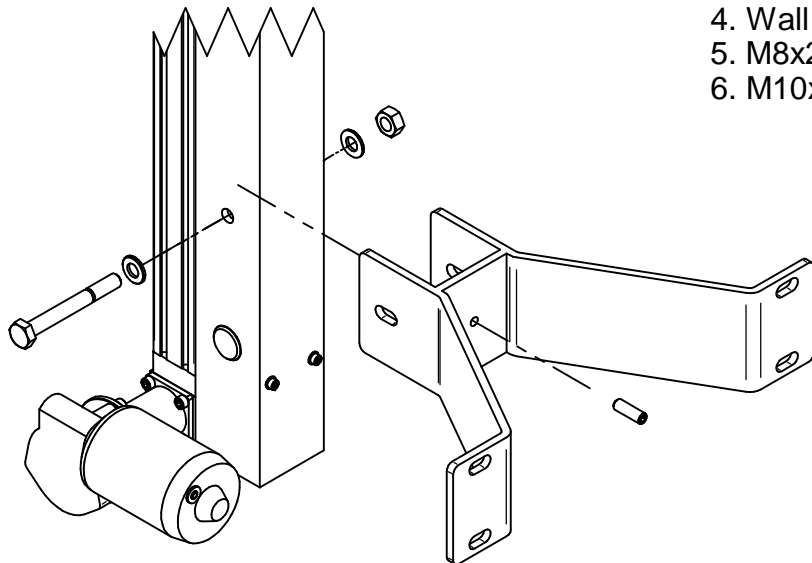
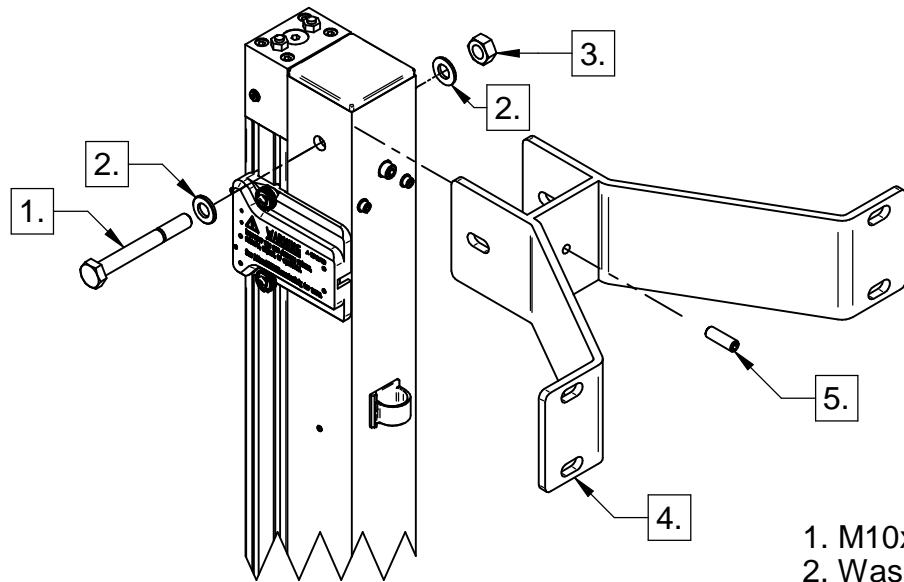


Auto column before March 2019

Recognizable by the use of two separate profiles.
No threaded holes.



- 1. M10x85 hexagon bolt
- 2. Washer
- 3. M10 hexagon nut
- 4. Wall bracket
- 5. M8x25 set screw
- 6. M10x25 cilinder head bolt

Auto column after March 2019

Recognizable by the use of a single profile with ridges.
Threaded holes in the top and bottom mounting blocks.

